

KEY FEATURES

- 2 way bass-reflex system
- Built-in 70/100V transformer with 8 ohms option
- 5 individual power settings in 70/100V mode
- 90° dispersion angle
- White ABS back cover
- Easy to install
- Designed for public address in-wall applications

TECHNICAL SPECIFICATIONS

Type	2 way bass-reflex system
Nominal diameter	165 mm. 6.5 in.
Rated impedance	8 ohms.
Power capacity	50 w RMS (8 ohms.) 2.5 / 5 / 10 / 15 / 20 w (70/100 v)
Sensitivity	88 dB, 1 w @ 1 m
Frequency range	20-20000 Hz
Dispersion angle	90°
Transformer line	70/100 v

MOUNTING INFORMATION

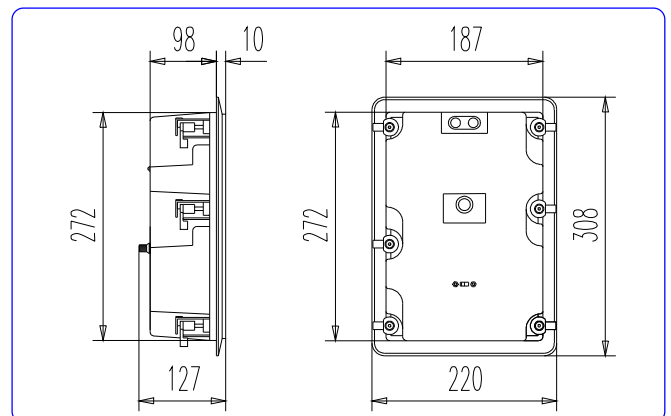
Overall dimensions	308 x 220 mm. 12.13 x 8.66 in.
Mounting dimensions	272 x 187 mm. 10.70 x 7.36 in.
Depth	127 mm. 5 in.
Net weight	2.6 kg. 5.72 lb.

MATERIALS

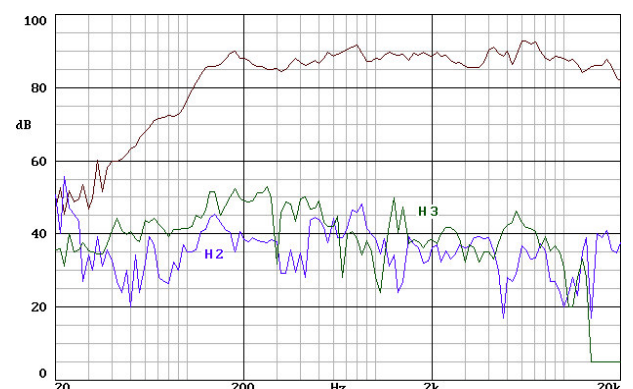
- **LF unit diaphragm:** propylene.
- **HF unit diaphragm:** polycarbonate.
- **Grid:** metal.
- **Back cover:** ABS.



DIMENSION DRAWINGS



FREQUENCY RESPONSE AND DISTORTION CURVES



Note: on axis frequency response measured with loudspeaker standing on infinite baffle in anechoic chamber, 1w @ 1m.